

CIGARETTE LIGHTER

INSTALLATION INSTRUCTIONS

Vehicle: Mazda CX-9

Parts numbers: S58B 66 250

Thank you for purchasing a genuine Mazda accessory.

Before removal and installation, be sure to thoroughly read these instructions.

Please read the contents of this booklet in order to properly install and use the cigarette lighter. Your safety depends on it.

Keep these instructions with your vehicle records for future reference.

Note:

- There are several **⚠WARNING** and **⚠CAUTION** sections in this booklet concerning safety when installing or removing the cigarette lighter. Always read and follow them in order to prevent injuries, accidents, and possible damage to the vehicle.

⚠ WARNING: Indicates a situation in which serious injury or death could result if the warning is ignored.

⚠ CAUTION: Indicates a situation in which bodily injury or damage to the vehicle could result if the caution is ignored.

- Do not modify the cigarette lighter.
- Do not install the cigarette lighter in any way other than described in the following instructions.
- If in any doubt, please ask your Mazda dealer to install the accessory in order to prevent errors in installation.
- If you have any questions about the use of the accessory, ask your Mazda dealer for proper advice before using it.
- Mazda and its suppliers are not responsible for injuries, accidents, and damage to persons and property that arise from the failure of the dealer or installer to follow these instructions.
- To ensure safety and reliability of the work, installation, removal and disposal work by an Authorized Mazda Dealership is recommended.
- Be careful not to lose removed parts, and be sure that they are kept free from scratches, grease or other dirt.

To the dealer

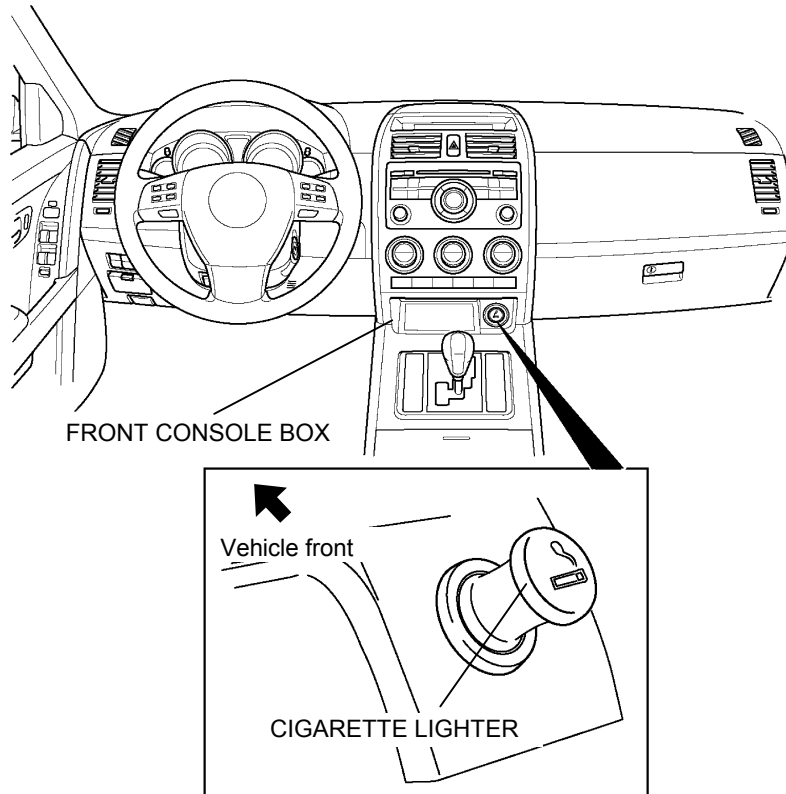
Please turn over these instructions to the customer after installation.

To the customer

- Keep these instructions after installation. The instructions may be necessary for installing other optional parts or removal of this accessory.
- Should the vehicle or this accessory be resold, always leave these instructions with it for the next owner.

1. PARTS

▼ INSTALLATION VIEW





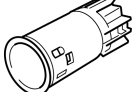
⚠ WARNING

- Do not install this accessory in any location other than the specified location as it may cause a fire.

▼ PARTS LIST

NOTE:

- Before installation, verify that the kit includes all the following parts and that they are free of dirt, scratches, or damage.

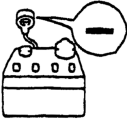


Part	Part name	Qty.	Part	Part name	Qty.	Part	Part name	Qty.
	Cigarette lighter plug	1		Ring	1		Socket	1

2. BEFORE INSTALLATION

▼ REQUIRED TOOLS

- ☆ Flathead screwdriver wrapped with tape

⚠ WARNING

<p>When the negative battery cable is connected during operation, it may cause electric shock or other personal injuries. Disconnect the negative battery cable before removal/installation.</p>	<p>Do not pull the harness With excessive force. Doing so can cause a breakage or a short-related accident, as well as an electrical short or fire.</p>	<p>When connecting/disconnecting connectors, grasp the connectors, not the wires. Otherwise a short, an accident from poor contact or fire may occur.</p>
		

⚠ WARNING

- When removing/installing the parts, park the vehicle on level ground and apply the side brake securely. Be sure to turn the ignition switch off, otherwise the vehicle can move, causing personal injury or vehicle damage.

⚠ CAUTION

- Wrap a flathead screwdriver or fastener remover with protective tape to prevent scratches to the vehicle.

Note

- When the negative battery cable is removed, the clock, radio, trip meters and other memories will be erased. Before performing work, record the content of the memory.
- Refer to the Workshop Manual for removal and installation of vehicle parts.
Not following the procedures for removal/installation in the Workshop Manual could result in an accident or vehicle malfunction.

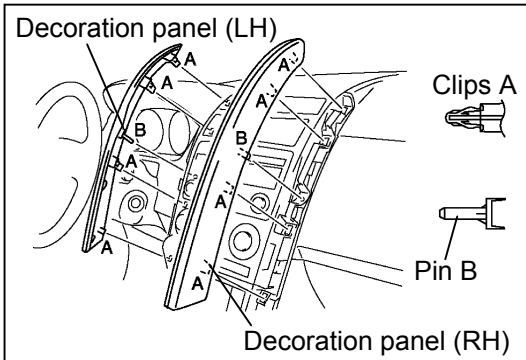
3. PARTS REMOVAL

Negative battery cable disconnection

1. Set the selector lever to D range.
2. Disconnect the negative battery cable and wrap tape around it to insulate.

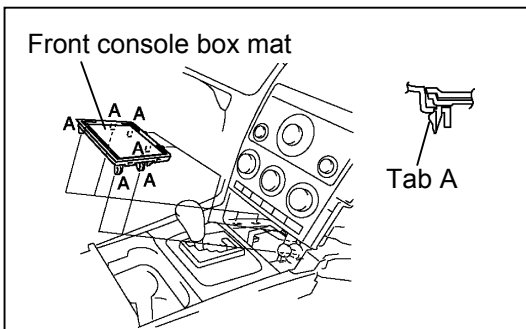
⚠ CAUTION

- When the negative battery cable is connected during operation, it may cause electric shock or other personal injuries. Disconnect the negative battery cable before removal/installation.



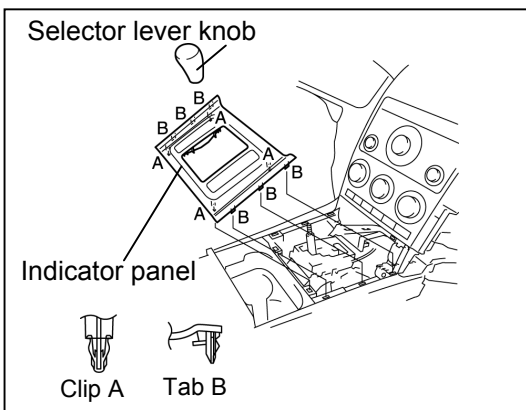
Decoration panel removal

1. Pull the decoration panel outward and detach clips A (4 locations) and pin B (1 location).
2. Remove the decoration panel.



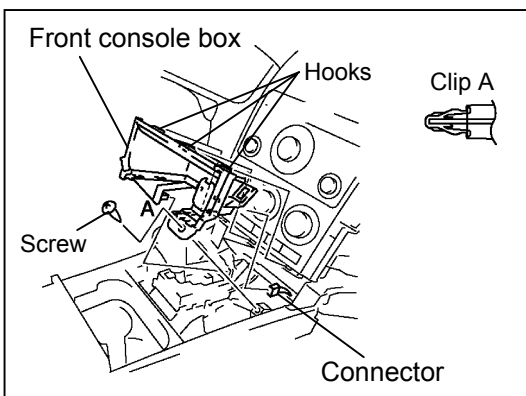
Front console box mat removal

1. Pull the front console box mat outward and detach tabs A (6 locations), then remove the front console box mat.



Indicator panel removal

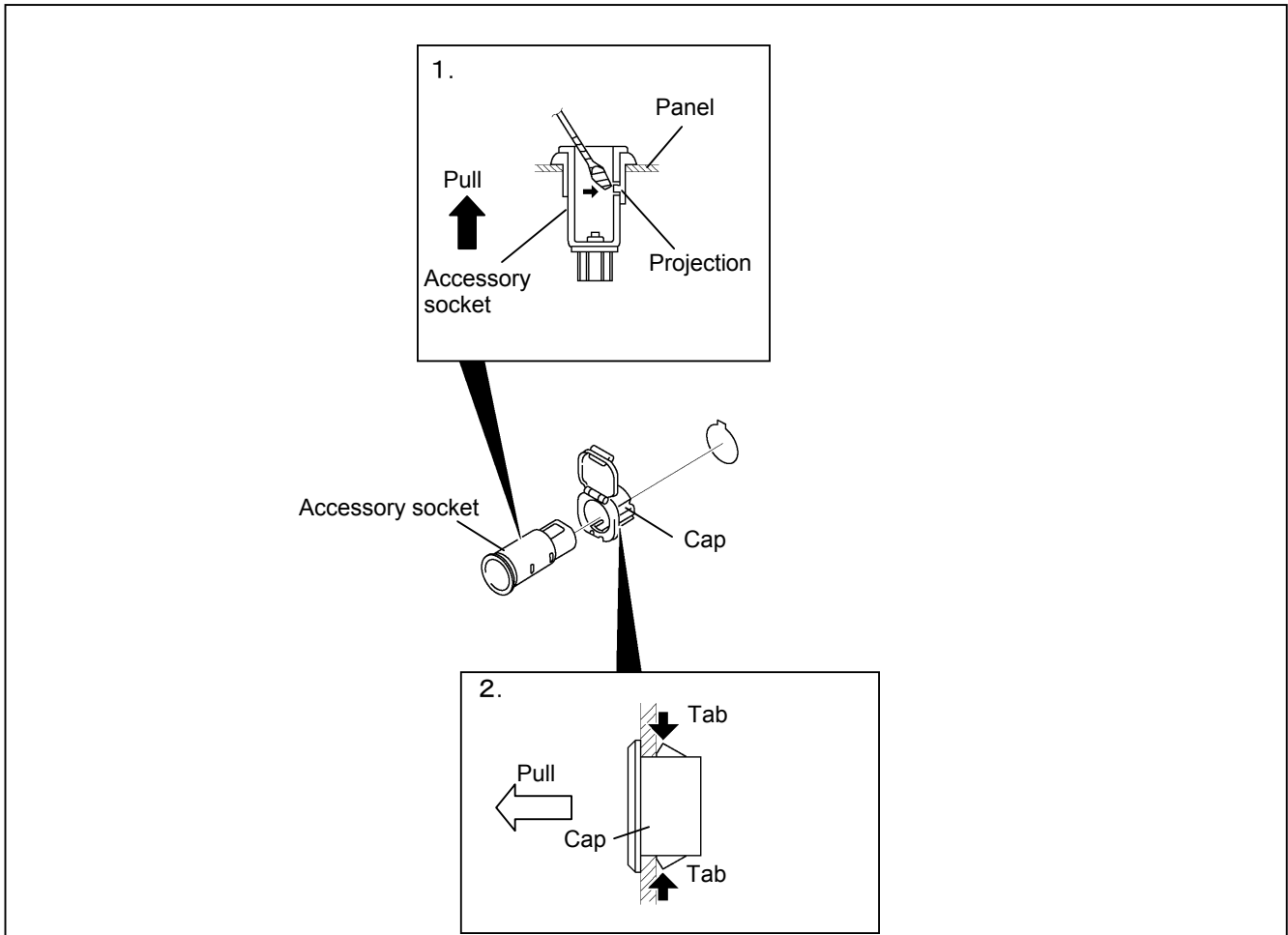
1. Remove the selector lever knob.
2. Pull the indicator panel upward and detach clips A (4 locations) and tabs B (6 locations), then remove the indicator panel.



Front console box removal

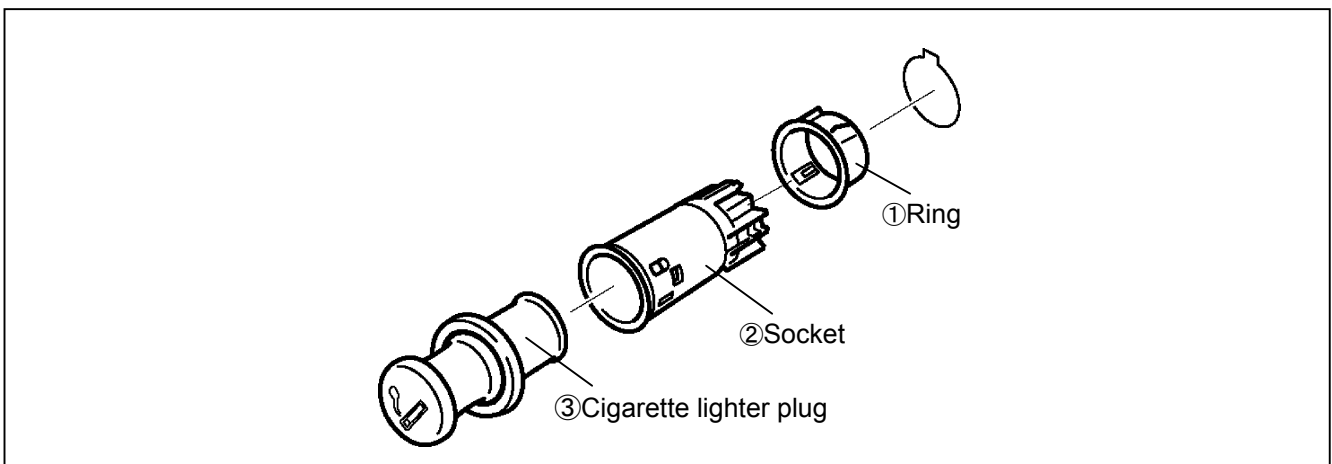
1. Remove a screw (1 location).
2. Pull the front console box outward and detach clip A (1 location) and hooks (3 locations).
3. Disconnect the accessory socket connector.
4. Remove the front console box.

4. ACCESSORY SOCKET REMOVAL



1. While pressing a tape-wrapped flathead screwdriver against the cap projection, pull the accessory socket outward.
2. While pressing the tabs, pull the cap outward.

5. CIGARETTE LIGHTER INSTALLATION



1. Align the ring with the contour of the panel and install it.
2. Align the ring and socket with the groove and install them.
3. Insert the cigarette lighter plug.
4. Connect the accessory socket connector.
5. Install in the reverse order of the parts removal.

6. OPERATION CHECK

1. Vehicle operation check

1. Connect the negative battery cable.

CAUTION

- When the battery is disconnected, the windows will not fully open and close automatically. Perform the following procedure to resume operation:
 1. Turn the ignition switch to the ON position.
 2. Press the switch and fully open the window.
 3. Pull up the switch and continue holding for about 2 seconds to fully close the window.
 4. If the function does not operate even after the ignition switch is turned off, contact an Authorized Mazda Dealer.

2. Cigarette lighter operation check

1. Turn the ignition switch to the ACC position.
2. Verify that the cigarette lighter comes out within **10—20 seconds**, after pressing the cigarette lighter plug into the socket.

INSTALLATION INSPECTION SHEET

CX-9

**CIGARETTE
LIGHTER**

S58B 66 250

Inspection after installation

- Inspect the installed / reinstalled parts for the following items.

Inspection Parts	Check Item (○)			
	Clearance/Fit	Scratches/ Dirt/ Harness interference	Installation/ Tightening/ Engagement	Operation check
Cigarette lighter	<input type="radio"/>	<input type="radio"/>	<input type="radio"/>	<input type="radio"/>
Front console box	<input type="radio"/>	<input type="radio"/>	<input type="radio"/>	
Front console box mat	<input type="radio"/>	<input type="radio"/>	<input type="radio"/>	
Indicator panel	<input type="radio"/>	<input type="radio"/>	<input type="radio"/>	
Shift knob	<input type="radio"/>	<input type="radio"/>	<input type="radio"/>	
Decoration panel	<input type="radio"/>	<input type="radio"/>	<input type="radio"/>	
Negative battery cable	<input type="radio"/>	<input type="radio"/>	<input type="radio"/>	
Windows fully open and close automatically				<input type="radio"/>

Installation inspection sheet for Cigarette lighter

Date _____, _____, _____				
VIN. _____				
Approved		Checked		Person in charge

The term of validity for this sheet: 12 months